



HIGH-EFFICIENCY COMBINATION BOILER

Water | Natural/Propane Gas | 155 MBH

Direct Vent | Efficiency 94.4%

SUBMITTAL SHEET

JOB NAME _____

LOCATION _____

ARCH. / ENGR. _____

WHOLESALER _____

MECH. CONTRACTOR _____

MODEL NO. _____ GAS TYPE _____

BTU/HR INPUT _____ BTU/HR OUTPUT _____

STANDARD EQUIPMENT

Features

- 94.4% annual fuel utilization efficiency (AFUE) – low fuel usage, saves energy
- Natural or Propane (LP) gas operation – factory shipped as NG, optional LP conversion kit
- Compact design – increases placement options
- Heavy gauge insulated jacket – provides quiet operation
- 10-to-1 turn down ratio – precisely matches energy usage to the immediate system need
- Low NOx rated – low emissions level achieved South Coast certification
- Single tube, large diameter, ASME certified 316L Stainless Steel heat exchanger
- Pre-wired, plug-in ready electrical design
- Contractor friendly removable sides – makes service clean and easy
- Wall mounting bracket and hardware
- Internal 3-speed Grundfos circulator
- Reliable Honeywell® boiler controls with digital display

- Commercial grade 120V power cord with 3 prong plug
- Unique 3-in-1 vent adapter – approved to accept PVC, CPVC, SS or PP vent materials
- Multiple vent options – direct vent with 2 pipes or concentric, through sidewall or roof
- Internal condensate trap
- 24VAC thermostat relay
- Water treatment – inhibitor and test kit
- Factory tested

Standard Equipment

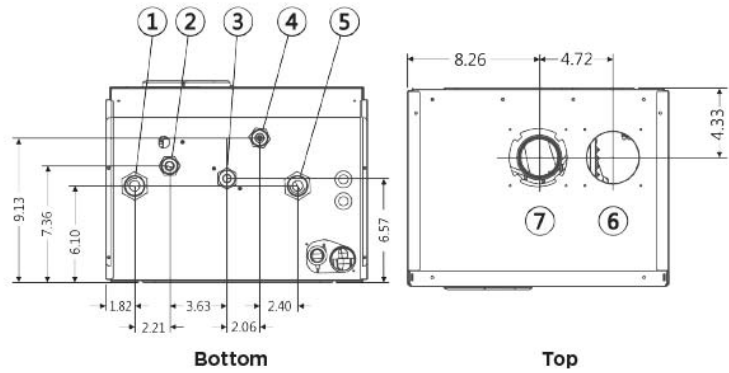
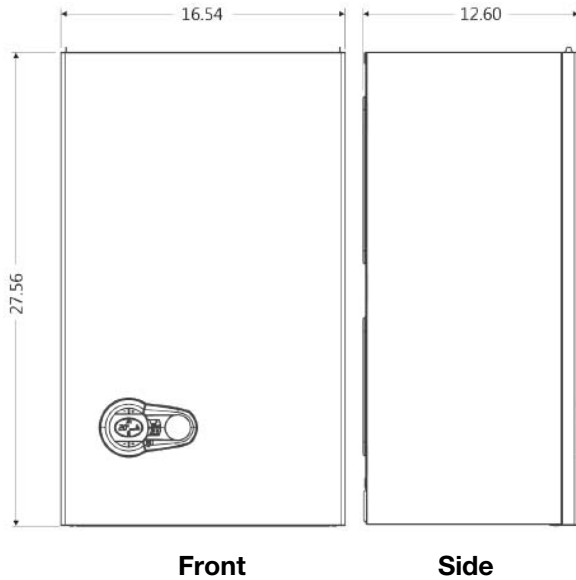
- Stainless Steel primary heat exchanger
- Mounting bracket and hardware
- Spark ignition
- Outdoor sensor
- Honeywell control
- T & P gauge
- 3-prong power cord
- Water treatment inhibitor and test kit
- Condensate drain
- Relief valve
- 3-in-1 Vent adapter
- DHW flat plate heat exchanger

- 3-speed circulator
- Low NOx SCAQMD compliant

Optional Equipment

- Propane conversion kit
- Concentric vent kit
- Condensate neutralizer

SUBMITTAL SHEET



COMBI Connections

- 1) Heating system supply tapping: 1" NPT
- 2) Domestic hot water outlet: 3/4" NPT
- 3) Gas connection: 1/2" NPT
- 4) Cold water supply: 3/4" NPT
- 5) Heating system return tapping: 1" NPT
- 6) Air connection: 3" PVC, PP*, CPVC, AL 29-4C SS
- 7) Flue connection: 3" PVC, PP*, CPVC, AL 29-4C SS

*Fits Simpson-Duravent, additional adapter needed for Centrotherm

Model ¹	Input MBH		AHRI Certified Ratings			Vent outlet diameter (Inches) ⁴	Vent material	Boiler water content (Gallons)	Approx. shipping weight (Lbs.)
	Max.	Min.	DOE heating capacity MBH ²	Seasonal efficiency AFUE %	Net water rating MBH ³				
WMB-155C	155	15.5	143	94.4	124	3	PVC, CPVC, PP, SS	.75	87

¹Natural gas field convertible to LP with optional kit.

²Based on standard test procedures prescribed by the United States Department of Energy. MBH refers to thousands of Btu per hour.

³Net AHRI ratings are based on net installed radiation of sufficient quantity for the requirement of the building and nothing needs to be added for normal piping and pick-

up. Ratings are based on piping and pick-up allowance of 1.15. An additional allowance should be made for unusual piping and pick-up loads.

⁴Boilers must be vented directly to the outdoors. See boiler manuals for details. In the interest of continual improvement in product and performance, Weil-McLain reserves the right to change specifications without notice.

